

FIRST IMPLANT OF K-MOD WITH THE **NEW INSTRUMENT SET:** **K-MOD 3REF**

K-MOD 3REF INSTRUMENTS IS FOR :

- **ANTERIOR Reference**
- **POSTERIOR Reference**
- **HYBRID: allow AP shift +/- 1 and 2mm with both references**

Surgeons:

Dr. Raffaele Garofalo - Orthopedic and Traumatologic

Unit Director

Dr. Franco Fiore

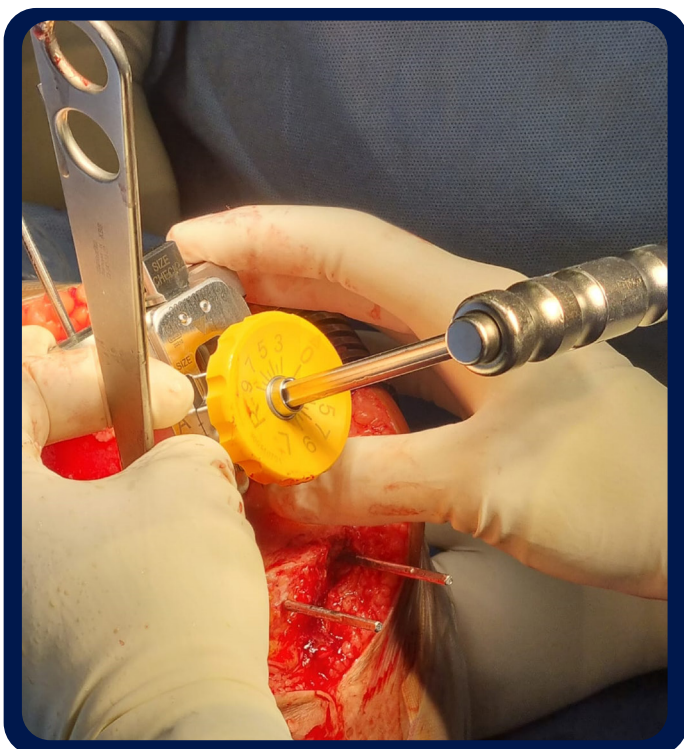
Dr. Luca Montenegro

Dr. Vito Ortolano

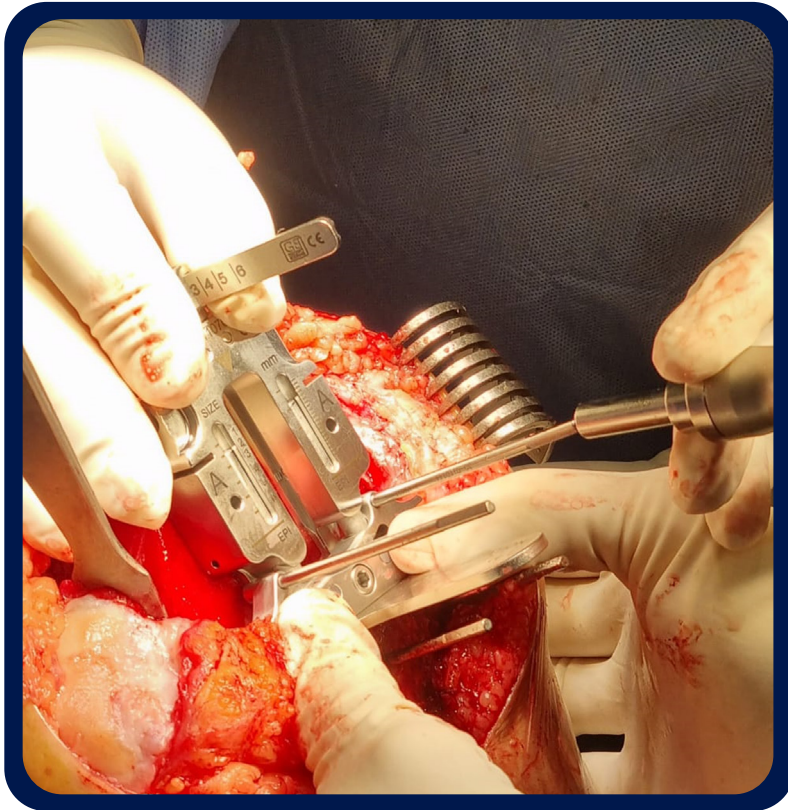
Dr. Nicola Petruzzelli

Hospital: Ente Ecclesiastico F. Miulli
Acquaviva delle Fonti (Bari)

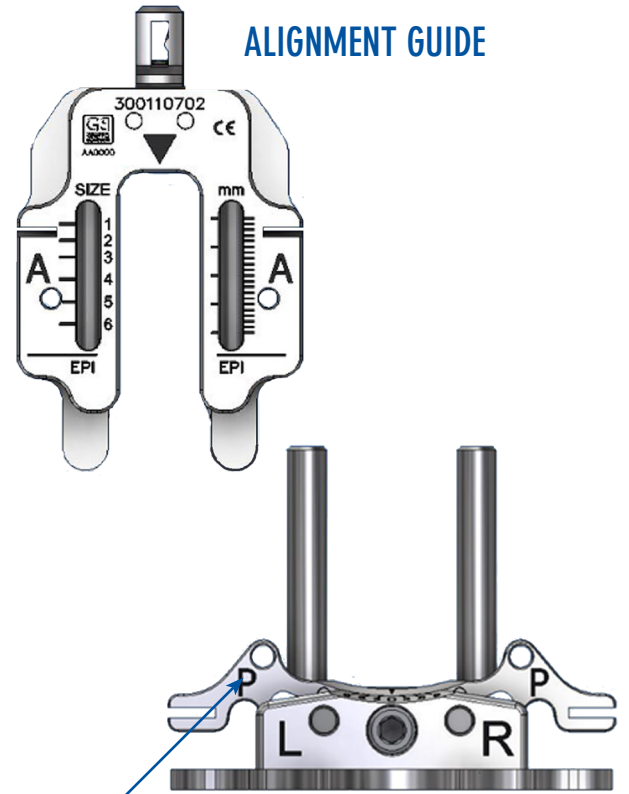
Surgery date: 28 January 2022



VALGUS GUIDE



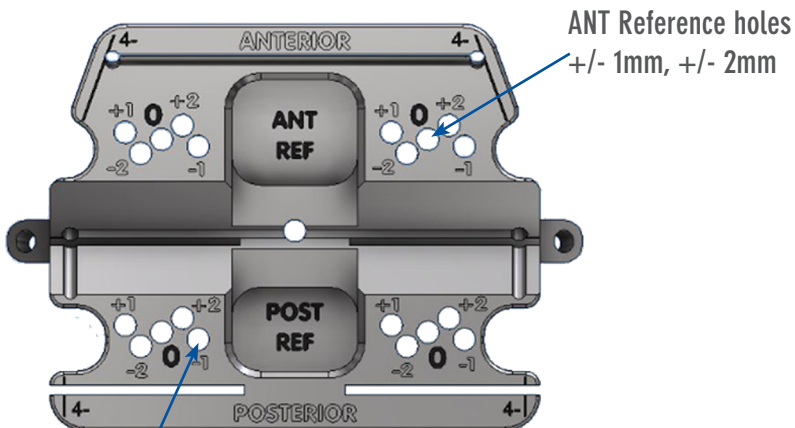
ALIGNMENT GUIDE



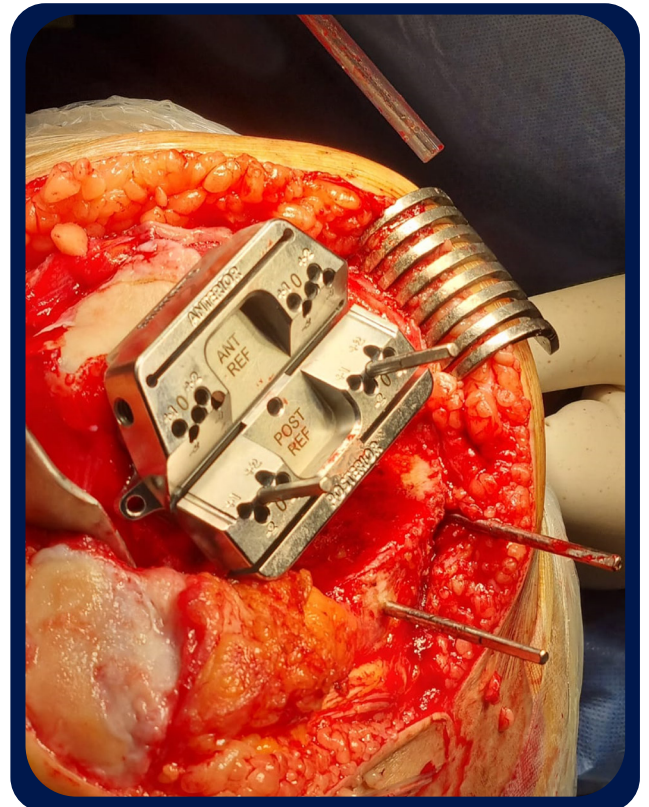
POST Reference
holes
(9mm)

EXTRAROTATION GUIDE

4IN1 CUTTING BLOCK



POST Reference holes
 $\pm 1\text{mm}$, $\pm 2\text{mm}$





Enjoy Mobility



Post-op xrays



Post-op xray



Enjoy Mobility

GRUPPO BIOIMPIANTI S.r.l.

Via Liguria 28, 20068 Peschiera Borromeo (MI)

Tel: +39 02 51650371 Fax: +39 02 51650393

e-mail: info@bioimpianti.it

bioimpianti.it